

Microwave Detector

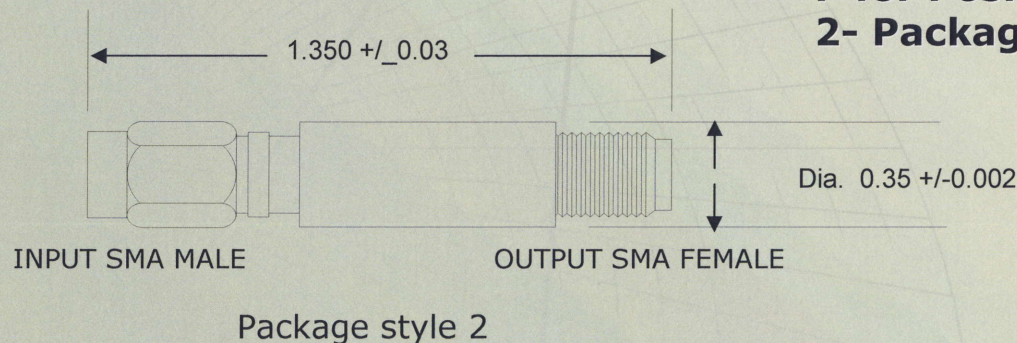
Miniature Zero-Bias Schottky Diode Detector

Design Specification

Frequency Range:	0.01 – 18.5GHz
Frequency Response (Max):	± 0.5dB
VSWR (Max):	1.5:1
Typical Sensitivity ($P_{in} < -30\text{dBm}$):	0.5mV/ μW
Max Power Output:	100mW
Video Resistance:	5K ohms
Output Polarity:	Negative or Positive
Bias:	None
Temperature range:	-55°C to +100°C

Part Number: RNZD01-18P2

N for Negative polarity
P for Positive polarity
2- Package Style 2



RES-NET MICROWAVE

P.O. BOX 18802 • CLEARWATER, FL 33762

ISO 9001

